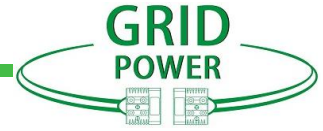


GPS 75GFP

Multipole Power Connector



FEATURES

特征



- **Flat wiping contact system**

Minimal contact resistance at high current, wiping action cleans contact surface during connection/disconnection

- **Mechanical keyed housings**

Prevents accidental mating of components operating at different voltage levels

- **Finger proof (Pending)**

Minimizes the potential contact with live contacts, per UL 1977

- **Ergonomic design**

Is "user friendly" during connection and disconnection of the system

- **平面接触技术**

强电流下接触电阻最小，断开过程中产生的擦拭动作可清洁接触件表面

- **彩色防呆设计**

根据颜色确定行业标准推荐的使用电压。避免两个带有不同电压编码颜色的胶壳配插（消除电源与插座误插的可能性）

- **防金属指**

有助防止手指（或探针）接触工作中金属件，符合 UL1977

- **人体工学设计**

提供良好的插拔设计

PRODUCT SPECIFICATIONS/产品规格

Current Rating (Amperes) 额定电流 (安培)	75
Voltage Ratings (Volts) 额定电压 (伏特)	600
Contact Barrel Wire Size (AWG) (mm ²) 适用线径 (AWG) (mm ²)	#6 to #16 13.3 to 1.3
Maximum Wire Insulation Diameter (inches) (mm) 最大绝缘导线直径(英寸) (毫米)	0.41 10.4
AVG Contact Resistance(micro-ohms) 接触电阻 (微欧)	200
Insulation Withstanding Test Voltage (Volts AC/DC) 绝缘耐电压 (交流/直流)	2200
Contact Retention Force (lbf) 端子保持力 (磅)	50
Life/寿命 a. No load (Contact/Disconnect Cycles) 无负载 (插拔次数) b. Under Load (Hot Plug 250 cycles @ 120V) 负载状态 (120V 电压执插拔 250 次)	To 10,000 50A
Avg. Connection/Disconnect (lbf) 平均插拔力 (磅)	16
Operating Temperature Range °C/°F 工作温度 PBT 材料	-20° to 105°/-4° to 221° -40° to 125°/-40° to 257°
Flammability Rating of Housing Material 材料防火等级 Plastic(塑胶壳) Polycarbonate and PBT Contact(端子) Copper Alloy Silver plating and	UL94 V-0

Your Best High Power Connection



Shenzhen Grid Power Connectors Co., Ltd

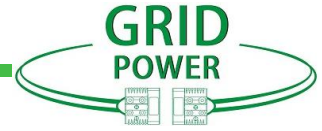
Tel: +86 0755-23208099 23205933

Address: The 2nd Floor, Building B&C, Plant 1, Senyang Technology Park, Guangming District, Shenzhen City, PRC

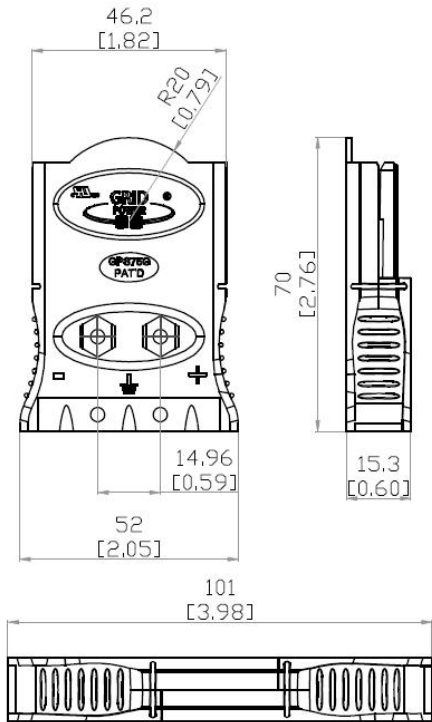
www.gridpower-conn.com www.grd-power.com

GPS 75GFP

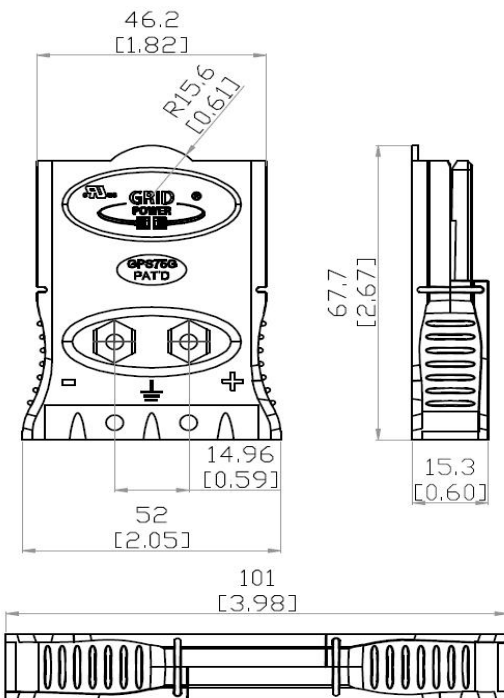
Multipole Power Connector



HOUSING/胶壳



Part Number 料号	Part Number 料号(PBT)	Housing Color 胶壳颜色
GPS75GFP-G3013G1	G3013G1-P	Gray 灰色
GPS75GFP-G3013G2	G3013G2-P	Red 红色
GPS75GFP-G3013G3	G3013G3-P	Black 黑色
GPS75GFP-G3013G4	G3013G4-P	Blue 蓝色
GPS75GFP-G3013G5	G3013G5-P	Yellow 黄色
GPS75GFP-G3013G6	G3013G6-P	Green 绿色
GPS75GFP-G3013G7	G3013G7-P	Orange 橙色
GPS75GFP-G3013G8	G3013G8-P	Brown 棕色
GPS75GFP-G3013G9	G3013G9-P	White 白色



Part Number 料号	Part Number 料号(PBT)	Housing Color 胶壳颜色
GPS75GFP-G3013G1-A	G3013G1-A-P	Gray 灰色
GPS75GFP-G3013G2-A	G3013G2-A-P	Red 红色
GPS75GFP-G3013G3-A	G3013G3-A-P	Black 黑色
GPS75GFP-G3013G4-A	G3013G4-A-P	Blue 蓝色
GPS75GFP-G3013G5-A	G3013G5-A-P	Yellow 黄色
GPS75GFP-G3013G6-A	G3013G6-A-P	Green 绿色
GPS75GFP-G3013G7-A	G3013G7-A-P	Orange 橙色
GPS75GFP-G3013G8-A	G3013G8-A-P	Brown 棕色
GPS75GFP-G3013G9-A	G3013G9-A-P	White 白色



Your Best High Power Connection



Shenzhen Grid Power Connectors Co., Ltd

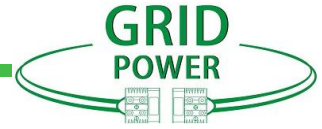
Tel: +86 0755-23208099 23205933

Address: The 2nd Floor, Building B&C, Plant 1, Senyang Technology Park, Guangming District, Shenzhen City, PRC

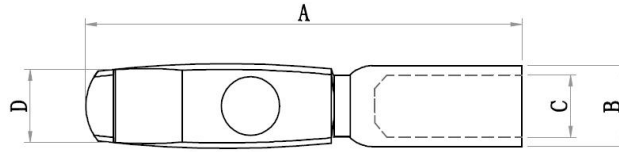
www.gridpower-conn.com www.grd-power.com

GPS 75GFP

Multipole Power Connector

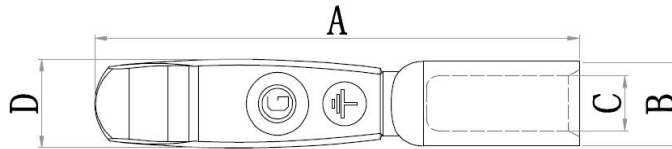


GPS75GFP SILVER PLATED PRIMARY POWER WRIE CONTACTS/接触件



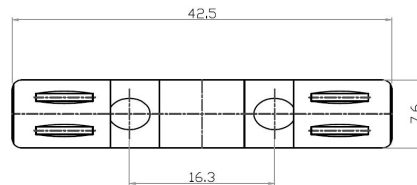
Part Number 料号	Description 描述	Mating Force 配合力	Wire Size/线径		-A-		-B-		-C-		-D-	
			AWG	sq. mm	mm	In.	mm	In.	mm	In.	mm	In.
S1339G1	Individual 单粒	Low 低	#5	16.8	39.4	1.55	7.1	0.28	5.9	0.23	7.63	0.30
S1339G2	Individual 单粒	Low 低	#6	13.3	39.4	1.55	7.1	0.28	5.6	0.22	7.63	0.30
S1339G3	Individual 单粒	Low 低	#10/#12	5.3/3.3	39.4	1.55	7.1	0.28	3.55	0.14	7.63	0.30
S1339G5	Individual 单粒	Low 低	#8	8.4	39.4	1.55	7.1	0.28	4.7	0.19	7.63	0.30

GPS75GFP SILVER PLATED PRE-MATE WRIE CONTACTS/接触件



Part Number 料号	Description 描述	Mating Force 配合力	Wire Size/线径		-A-		-B-		-C-		-D-	
			AWG	sq. mm	mm	In.	mm	In.	mm	In.	mm	In.
S1340G1	Individual 单粒	Low 低	#6	13.3	41.9	1.65	7.1	0.28	5.6	0.22	7.6	0.30
S1340G2	Individual 单粒	Low 低	#10/#12	5.3/3.3	41.9	1.65	7.1	0.28	3.55	0.14	7.6	0.30
S1340G3	Individual 单粒	Low 低	#8	8.4	41.9	1.65	7.1	0.28	4.7	0.19	7.6	0.30

CABLE CLAMPS/线扣

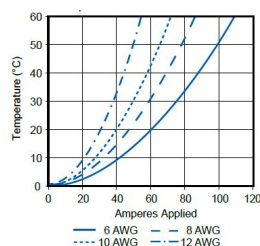


Part Number / 料号	Color / 颜色
GPS75CLPRED	Red 红色



TEMPERATURE RISE CHARTS/温升测试

GPS75G
Temperature Rise at Constant Current/温升曲线



Your Best High Power Connection



Shenzhen Grid Power Connectors Co., Ltd

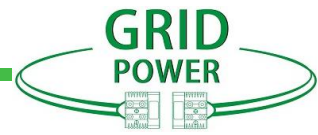
Tel: +86 0755-23208099 23205933

Address: The 2nd Floor, Building B&C, Plant 1, Senyang Technology Park, Guangming District, Shenzhen City, PRC

www.gridpower-conn.com www.grd-power.com

GPS 75GFP

Multipole Power Connector



Your Best High Power Connection



Shenzhen Grid Power Connectors Co., Ltd

Tel: +86 0755-23208099 23205933

Address: The 2nd Floor, Building B&C, Plant 1, Senyang
Technology Park, Guangming District, Shenzhen City, PRC

www.gridpower-conn.com www.grd-power.com